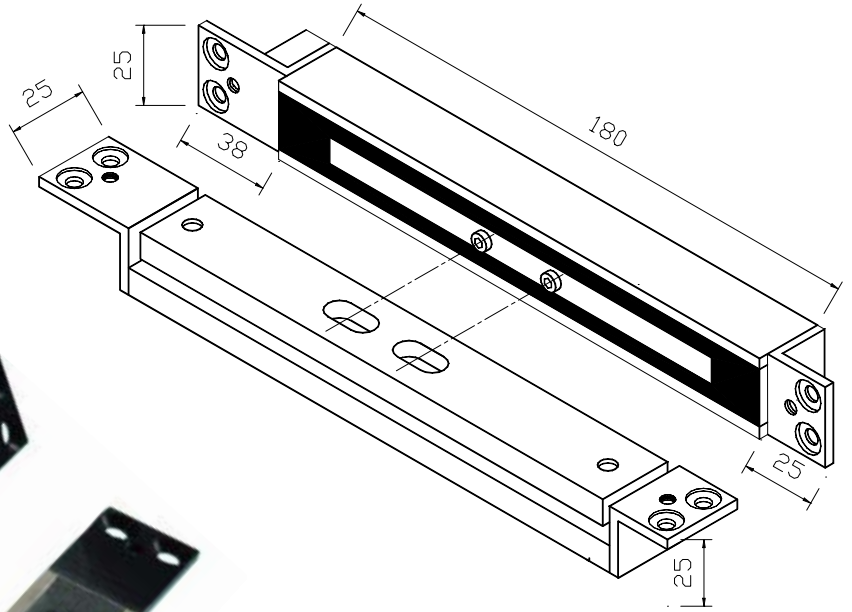


# MS40 Shearlock

Order Code : MS40SFM - 25



- Slim 25mm wide (30mm version still available)
- Up to 1000Kg shear force
- Ideal for glass door top rails
- Invisible when door closed
- 12/24v voltage range
- 1.5A pull in for 2 seconds
- 0.5A continuous hold
- Monitored as standard



- Available in these following options:

- Double
- Surface
- Flush
- Monitored
- Door status

## Installation Diagrams

